

Analytical balances

serie NL

Properties

- version **M** CE verified, class I
- clearly readable backlit LCD-display (except for NL-82/220-C-M, which has no backlight)
- very sturdy, die-cast aluminium housing, stainless steel pan, dim. 80mm Ø, supplied incl. 1 dust cover for keypad / display
- supplied with large adjustable feet and level
- supplied with Ultrablok weigh sensor, providing fast response, superb stability and reliability!
- automatic, internal calibration (manually-/temperature-/time controlled)
- water protected keypad with user friendly operating and a beep at pressing a key (off switchable)
- tare, zeroing, piece counting, filling/dosing, formula weighing, interval printing (data can be automatically output at time intervals set in the range from 1 second to 99 minutes 59 seconds), percentage weighing
- below-weigh hook for hanging weighing; optional gravity kit transforms the balance into a dedicated instrument for measuring specific gravity or density
- 3-door glass weighing chamber, simple cleaning
- analog bar graph display (showing total weight, incl. tare)
- communication with PC through optional cable, weigh data transmission to Excel or any similar Windows application (Windows XP / Vista / 7 / 8)
- supplied with RS-232 interface
- included real-time clock (date/time)
- GLP, GMP, ISO conformance, if an optional printer is connected, data can be printed out with date and time
- power: 230V adapter (incl.)



Options a.o.

- dot-matrix ticket printer (2 models available)
- cable from RS-232 to PC/printer
- static electricity ioniser STERION
- density kit; stofkap; external keyboard
- foot switch for printing / outputsignal
- foot switch for taring



CE verified, class



(application for legal trade)

© All Scales Europe

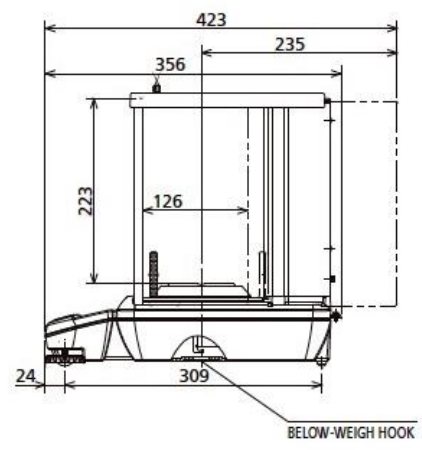
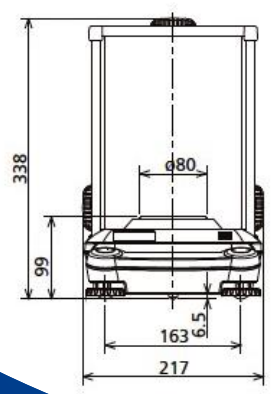
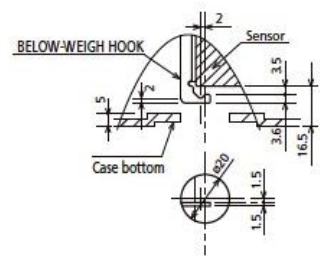
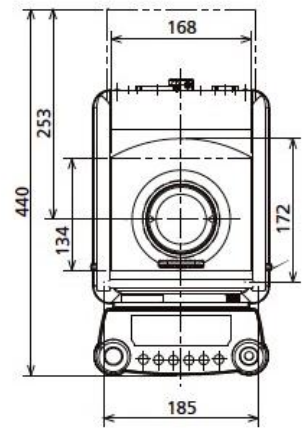
tel. (+31) (0)416 69 34 04 www.allscalesurope.com

Analytical balances

serie NL

Technical data

type	NL-120-C-M	NL-220-C-M	NL-320-C-M	NL-82/220-C-M
capacity	120 g	220 g	320 g	82 / 220 g
division e (verified unit)	1 mg	1 mg	1 mg	0,1 / 1 mg
division d (reading)	0,1 mg	0,1 mg	0,1 mg	0,01 / 0,1 mg
repeatability	≤ 0,1 mg	≤ 0,1 mg	≤ 0,15 mg	≤ 0,05 / ≤ 0,1 mg
linearity	± 0,2 mg	± 0,2 mg	± 0,3 mg	± 0,1 / ± 0,2 mg
stabilisation time	3 s			
env.temp.	5°C - 40°C			
verified version	M I	M I	M I	M I
calibration	automatic internal calibration			
pan dim.	80 mm Ø			
own weight	± 7 kg			



M CE verified, class **I**
(application for legal trade)