

Brass cylindrical weights with slot



Hanging weights and masses with hook / eye, M1 class.

For use in various applications such as pressure, torque and tensile strength testing.

This system is composed of a holder with a hanger from which you can stack and hang your slotted weights. The holder is made of stainless steel, the slotted weights of brass.

These weights can be adjusted in kg or Newton. In addition, the dimensions and nominal values of the holder can be adapted to your requirements.

There are 2 versions available, Slot-7mm (with a 7 mm wide slot) and Slot-14mm (with a 14 mm wide slot).

Specifications / values for type Slot-7mm, class M1 (kg)

Nominal value	height mm	Ø mm	MPE* in mg
50 g	3,4	49	5
100 g	7	49	5
200 g	9,5	59	10
500 g	13	79	25
1 kg	16,3	99	50
2 kg	32,2	99	100
Holder 100 g	120	40	50

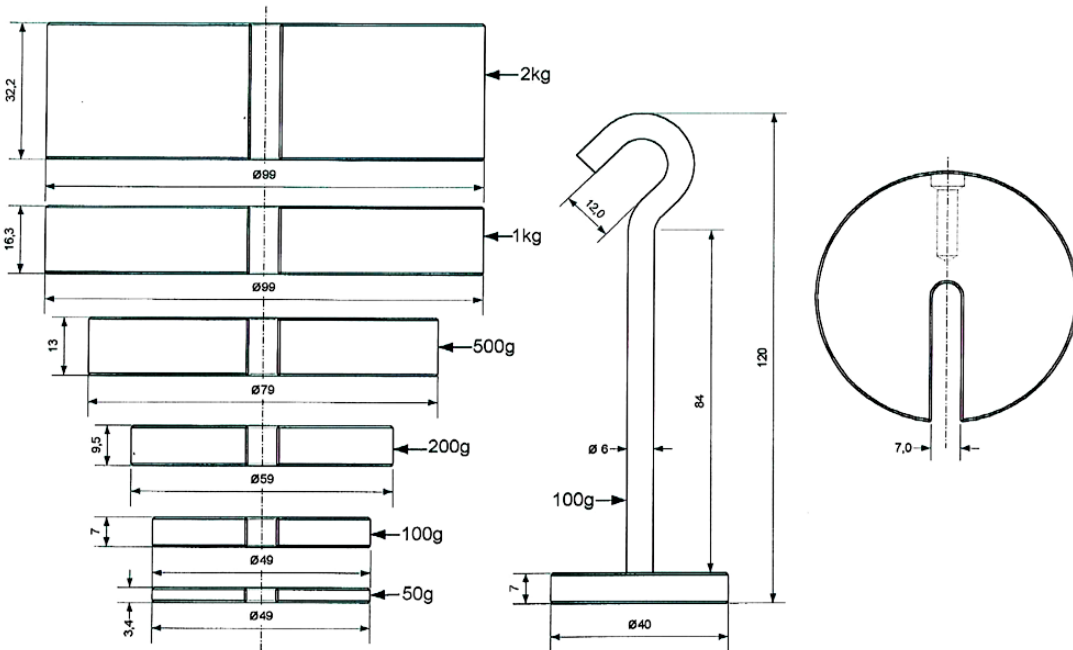
Eigenschappen / waarden voor type Slot-14 mm, klasse M1 (kg)

Nominal value	height mm	Ø mm	MPE* in mg
100 g	8,5	54	5
200 g	17	54	10
500 g	18,4	75	25
1 kg	19,2	99	50
2 kg	19	138	100
5 kg	50	138	250
10 kg	49,5	198	500
20 kg	99	198	1000
Holder 1 kg	347	100	50
Holder 2 kg	795	120	100

* MPE = Maximum Permissible Error (tolerance)



Measurement sketches slot weights with 7 mm slot



Measurement sketches slot weights with 14 mm slot

