

Compression Load Cells

Low-profile compression load cells to be integrated into silo or tank weigh module systems subjected to big forces



Analog version AS-CLA

Digital version AS-CLD



Mounting kit ASE-K



Mounting kit ASF-K with arm for limiting lateral forces

series AS-CLA AS-CLD

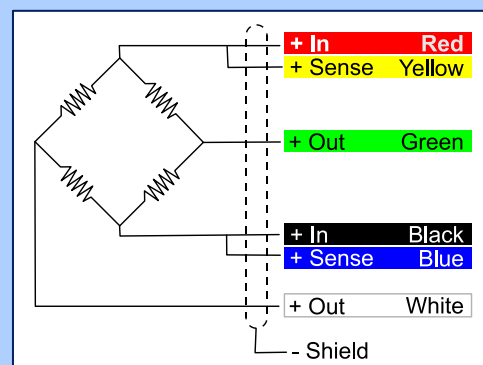
General Properties

- capacities 15 to 200 tons (see tables on page 2)
- up to 4000 divisions OIML-R60
- CE certification up to 75 ton
- precision class C3-C4
- fully welded; protected against moisture, protection class **IP-68**
- entirely made from stainless steel
- with gas dischargers for protection against atmospheric discharges
- no corner adjustment required
- plug & weigh system, calibrated from the factory
- cable with metal protective jacket optionally available

Technical Data

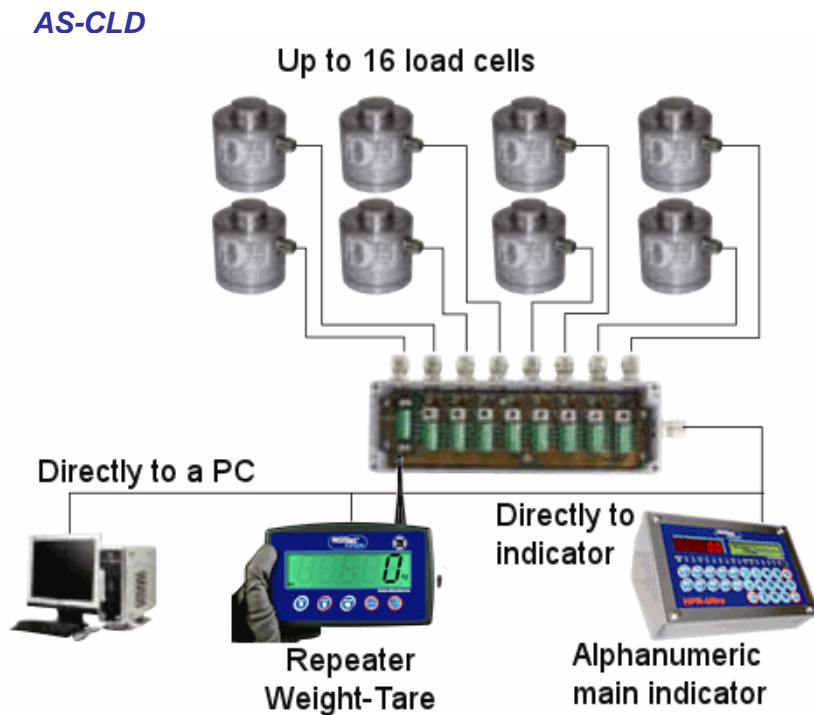
PARAMETER	UNIT	VALUE	
		AS-CLA	AS-CLD
Version		analog digital	
Sensitivity	mV/V	2 ± 0.1% mV/V	
Vmin	± mV/V	Emax/10000	
Nominal temperature range	°C	-10°C/+40°C	
Temperature limits	°C	-40°C/+70°C	
Max. Safe Static Overload (central loading)	% of R.C.		
Excitation tension	V	5 ÷ 15 V 8 ÷ 15 V	
Current consumption	mA	25	35
Input impedance	Ohm	800 ± 3 Ω	
Output impedance	Ohm	700 ± 3 Ω	
Insulation resistance	MOhm	5000 M Ω	
Internal resolution	bits	-	24
Transmission speed (max.)	kHz	-	100
Construction		Stainless steel	

Wiring diagram version AS-CLA (colors)



Compression Load Cells

series **AS-CLA**
AS-CLD



Analog versions

type	AS-CLA-15t	AS-CLA-20t	AS-CLA-25t	AS-CLA-30t	AS-CLA-35t	AS-CLA-40t	AS-CLA-50t	AS-CLA-75	AS-CLA-100t	AS-CLA-200t
capacity	15 ton	20 ton	25 ton	30 ton	35 ton	40 ton	50 ton	75 ton	100 ton	200 ton

Digital versions

type	AS-CLD-15t	AS-CLD-20t	AS-CLD-25t	AS-CLD-30t	AS-CLD-35t	AS-CLD-40t	AS-CLD-50t	AS-CLD-75	AS-CLD-100t	AS-CLD-200t
capacity	15 ton	20 ton	25 ton	30 ton	35 ton	40 ton	50 ton	75 ton	100 ton	200 ton

Maximum values

	capacity	15 - 50t	75 - 150t
maximum lifting force		82 KN	108 KN
maximum vertical displacement		adjustable	adjustable
maximum horizontal displacement		4,5 mm	4,5 mm

Maximum values with mounting kit with arm limiter for lateral forces

	capacity	15 - 50t	75 - 150t
maximum acceptable force in the arm direction		54 KN	71 KN
maximum displacement transversal to the arm		4,5 mm	4,5 mm



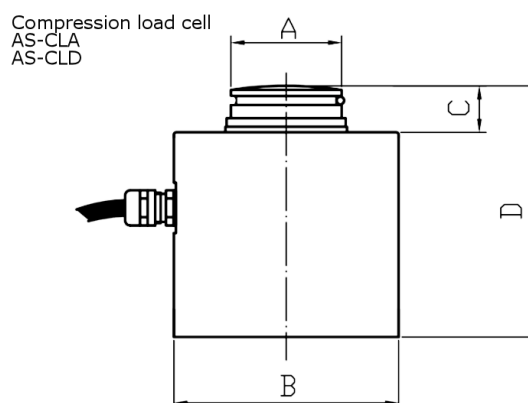
Compression Load Cells

series AS-CLA AS-CLD

Options

- cable with metal protective outer sheath
- mounting kit ASE-K
- mounting kit ASF-K with arm for limiting lateral forces

Dimensions tables



Type	Capacity	A	B	C	D
AS-CLA-15t	15 ton	Ø 43,8	Ø 88,9	23,4	99,4
AS-CLA-20t	20 ton	Ø 43,8	Ø 88,9	23,4	99,4
AS-CLA-25t	25 ton	Ø 43,8	Ø 88,9	23,4	99,4
AS-CLA-30t	30 ton	Ø 43,8	Ø 88,9	23,4	99,4
AS-CLA-35t	35 ton	Ø 43,8	Ø 88,9	23,4	99,4
AS-CLA-40t	40 ton	Ø 43,8	Ø 88,9	23,4	99,4
AS-CLA-50t	50 ton	Ø 43,8	Ø 88,9	23,4	99,4
AS-CLA-75t	75 ton	Ø 55	Ø 114,3	30,8	123
AS-CLA-100t	100 ton	Ø 55	Ø 114,3	30,8	123
AS-CLA-200t	200 ton	*	*	*	*

Type	Capacity	A	B	C	D
AS-CLD-15t	15 ton	Ø 43,8	Ø 88,9	18,4	99,4
AS-CLD-20t	20 ton	Ø 43,8	Ø 88,9	18,4	99,4
AS-CLD-25t	25 ton	Ø 43,8	Ø 88,9	18,4	99,4
AS-CLD-30t	30 ton	Ø 43,8	Ø 88,9	18,4	99,4
AS-CLD-35t	35 ton	Ø 43,8	Ø 88,9	18,4	99,4
AS-CLD-40t	40 ton	Ø 43,8	Ø 88,9	18,4	99,4
AS-CLD-50t	50 ton	Ø 43,8	Ø 88,9	18,4	99,4
AS-CLD-75t	75 ton	Ø 56	Ø 114,3	18,5	127,3
AS-CLD-100t	100 ton	Ø 56	Ø 114,3	18,5	127,3
AS-CLD-200t	200 ton	*	*	*	*



Compression Load Cells

series **AS-CLA** **AS-CLD**

Dimensions sketches

